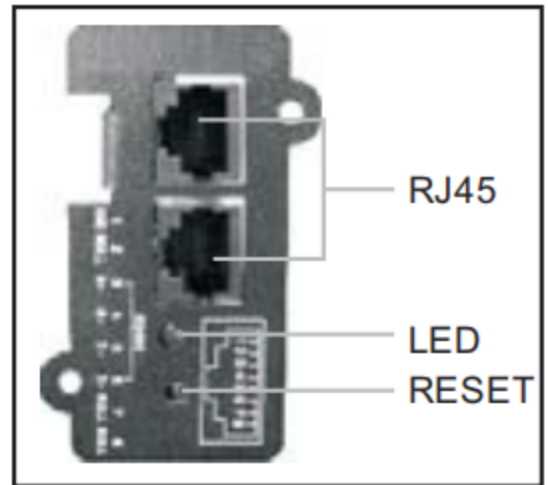
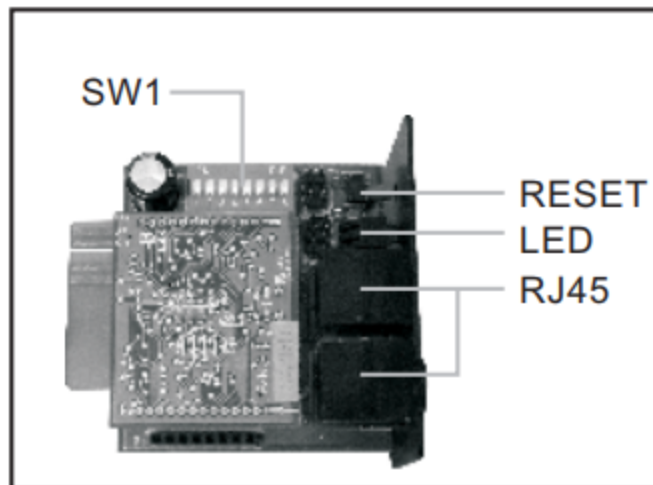


CMC (Central Monitor Card) is an optional accessory, it gives an easy and simple way to achieve remote monitoring & controlling of all the UPS at the same time.

## APPEARANCE



## FEATURES



- ① Converts the UPS RS232 signal into RS485 signal
- ② Provides a pair of RJ45 interface.

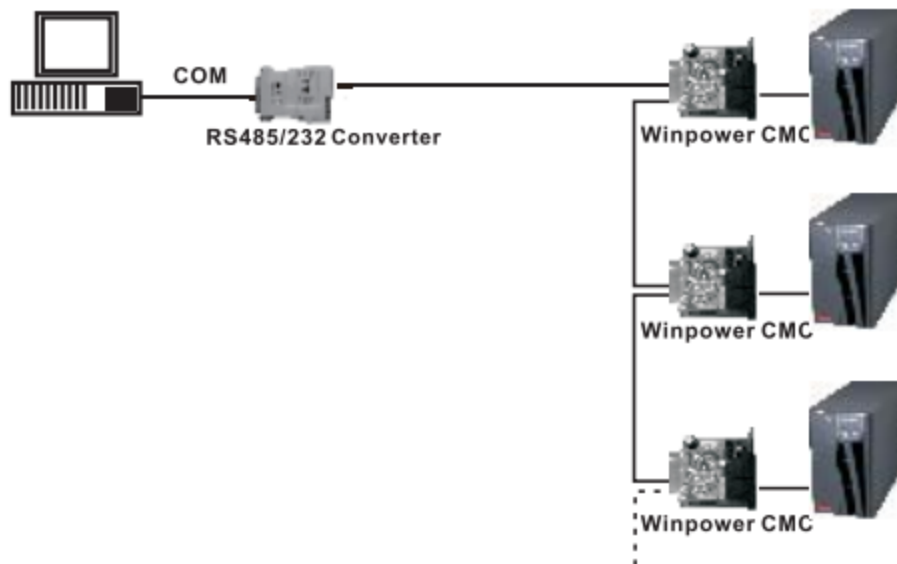
## COMPATIBILITY



Compatible with:

- XP Series
- Castle Series
- MP Series
- Other UPS with short intelligent slot

## TOPOLOGY



## CONFIGURATION



Address Setting (SW1)

Range: 0 ~ 255

Description: As an eight byte binary system, Pin-1 of SW1 is low byte, Pin-8 of SW1 is high byte. DIP switches set to “ON” means “0”, and DIP switches set to “OFF” means “1”.

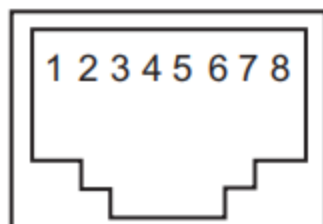


Example: If you want to set the CMC number as 38 (in decimal), its equivalent binary number is 00100110. Please refer to the SW1 setting on the right:



Notes: The setting of CMC number can not be duplicated in the same group.

## RJ-45 PIN ASSIGNMENT



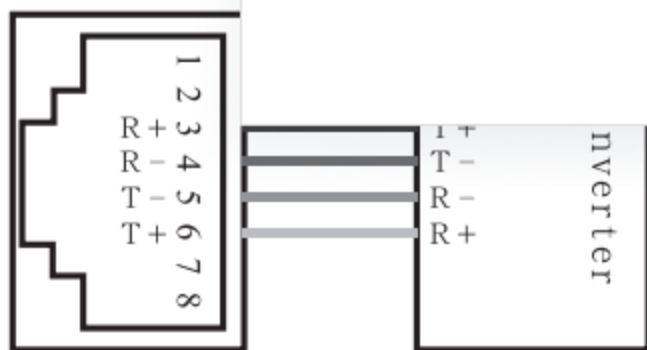
Pin	1	2	3	4	5	6	7	8
Define	GND	NULL	R+	R-	T-	T+	NULL	NULL
Signal			RS485					

## COMMUNICATION MODE

### RS485 Signal

It is commonly known that most of computers can only receive RS232 signal. Therefore, it is needed to use RS485 → RS232 CONVERTER to transform RS485 signal to RS232 signal for the computer.

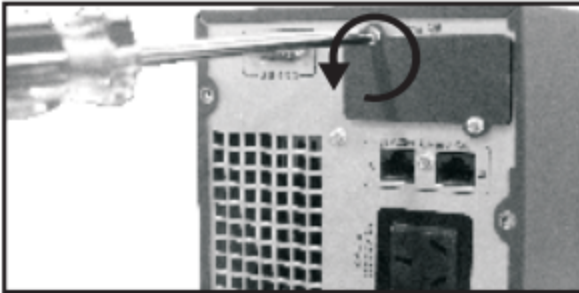
Following diagram shows the wirings between the RJ45 port of CMC and the RS485 → RS232 CONVERTER.



## HARDWARE INSTALLATION



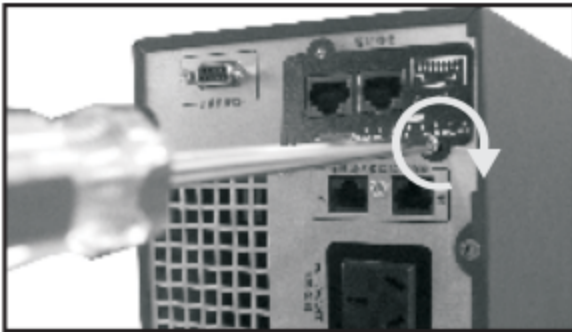
1. Open the cover of the Intelligent Slot of the UPS, shown as below:



2. Insert the CMC into the Intelligent Slot.



3. Lock the screws of the CMC bracket.



4. Connect the CMC(s) and the computer according to the “TOPOLOGY” diagram.

## SOFTWARE INSTALLATION



Install the software into the computer system to monitor all the UPS with CMC installed.

Please refer to the installation procedures in the manual.